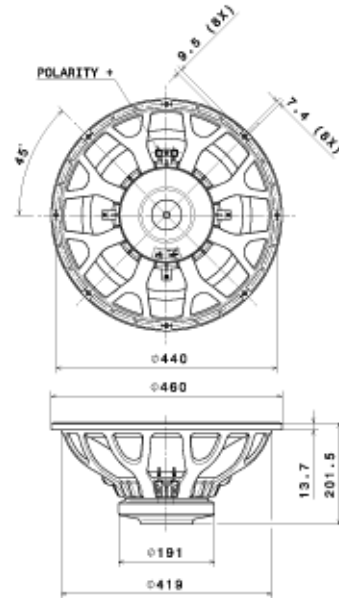




18FH510 Five Hundred Series



NOMINAL SPECIFICATIONS

Nominal Diameter	460 mm (18 in)
Overall Diameter	460 mm (18.11 in)
Bolt Circle Diameter	440 mm (17.32 in)
Baffle Cutout Diameter	421 mm (16.57 in)
Depth	201.5 mm (7.93 in)
Flange and Gasket Thickness	13.7 mm (0.54 in)
Net Weight	7.75 Kg (19.30 lb)
Shipping Box (Single Carton Box)	503x500x258 mm (19.80x19.68x10.16 in)
Shipping Weight	10.3 Kg (22.71 lb)

ELECTRICAL SPECIFICATION

Nominal Impedance	8 Ohm
Minimum Impedance	6.3 Ohm
AES Power Handling *	600 W
Maximum Power Handling **	1200 W
Sensitivity (1W/1m)	98 dB
Frequency Range	30÷3150 Hz
Voice Coil Diameter	77 mm (3 in)
Winding Material	Cu
Former Material	Glass Fiber
Winding Depth	22.2 mm (0.87 in)
Magnetic Gap Depth	10.5 mm (0.41 in)
Flux Density	1.15 T

THIELE & SMALL PARAMETERS

Fs	30 Hz
Re	5.1 Ohm
Qes	0.3
Qms	13.6
Qts	0.3
Vas	436.2 dm ³ (15.40 ft ³)
Sd	1166 cm ² (180.7 in ²)
Xmax ***	9.35 mm
Xdamage ****	20 mm
Mms	139 g
Bl	20.6 N/A
Le	1.25 mH
Mmd	116.5 g
Cms	0.22 mm/N
Rms	0.82 Kg/s
Eta Zero	3.2 %
EBP	100 Hz

NOTES

(*) 2 Hours Test According to AES 2-1984 Rev. 2003

(**) Maximum power is defined as 3dB greater than nominal power.

(***) $X_{max} = [(winding\ depth - magnetic\ gap\ depth) / 2] + (magnetic\ gap\ depth / 3)$

(****) Maximum excursion before permanent damage

CURVES

